

PNEUMATIC TIMER

Series GT

Cat No GT - 01 - 01 - A

PNEUMATIC TIMER

Features

- Pressure - independent
- Panel mounted
- Provision for DIN rail mounting
- Requires little space for installation
- No continuous air supply required
- Stationary preset value



Function

The timer switches input pressure applied to port 1 to port 2 after the preset delay time has expired.

Technical Specifications

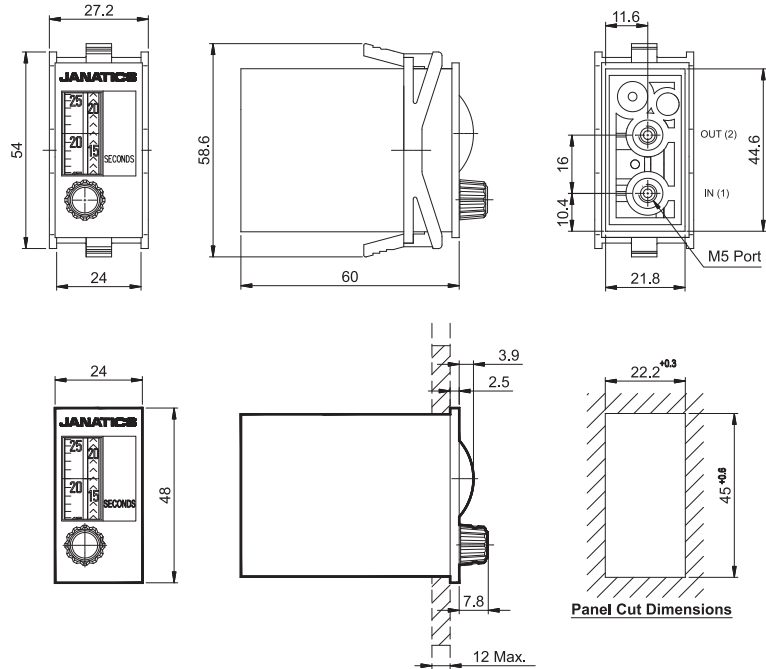
Ordering No	GT10170	GT10270	GT10370	GT10470
Operating pressure	2 - 6 bar			
Air quality	Oil free			
Filter pore width	≤ 40 µm			
Operating temperature	-10° to +60° C			
Port size	M5			
Mounting	Clamping clip			
Protection Class (IEC 144)	IP 40			
Weight (g)	Approx. 50 g			
Timing range	0.2 - 3 s	2 - 30 s	8 - 120s	20 - 300 s
Repeating accuracy	± 0.1 s	± 0.3 s	± 1.2 s	± 3 s
Setting accuracy	± 0.3 s	± 0.6 s	± 3.0 s	± 6 s
Reset	By blocking air intake at input 1			
Reset time	Min. 200 ms			

PNEUMATIC TIMER

Series GT

Cat No GT - 01 - 01 - A

Basic Dimensions



How to order

GT	1	02	70
	Pressure Range	Time Range	Port Size
	1 2 to 6 bar	01 0.2 to 3s 02 2 to 30s (Standard) 03 8 to 120s 04 20 to 300s	70 M5

Ordering example:

Ordering no. for Pneumatic Timer pressure range 2 to 6 bar, time range 2 to 30s, M5 port size : **GT10270**